

TAKSTAR® 得胜



WTG-700A
自动导览讲解器
Automatic Tour Guide System

使用手册 | User Manual

WTG-700A 自动导览讲解器

■ 前言

尊敬的用户：

感谢您选购得胜WTG-700A自动导览讲解器，为了您能够更好地了解使用本产品，建议您在使用前仔细阅读本说明书。

若存在有疑问或者您有宝贵的建议，可通过拨打得胜官方服务热线400 6828 333或微信扫描二维码关注得胜官方公众号与我们联系。



■ 产品特性

- 全自动讲解，无需人工单独讲解，走到感应讲解区域，自动播放对应语音内容；
- 采用无线数字技术，声音质量好，抗干扰能力强；
- 支持多种语音一键切换功能，讲解无障碍；
- 具有11挡发射功率调节，可根据不同环境灵活调节使用距离；
- 具有上百个ID序号选择，适用于各类场合及景区使用；
- 耳挂接收器仅重约18g，轻便小巧，不限耳型，提供舒适稳固佩戴体验；
- 充电箱具有UV紫外线消毒杀菌功能，快速消杀，守护健康安全。

■ 适用范围

适用大型景区、企业参观、旅游巴士、大型场馆等场合

■ 标准配置

WTG-700A自动触发器.....	(选配)
耳挂接收器.....	(选配)
充电箱.....	(选配)
1.5V / AA电池.....	(选配)
说明书.....	1份

■ 技术参数

自动触发器

- 频率范围: UHF
- 频道数: 9CH
- 发射功率: 11挡可调
- ID数: 256个
- 电池规格: 1.5V AA电池 (2节)
- 产品尺寸: 83*58*34mm
- 单机重量: 约68g
- 工作指示: 数码管
- 使用距离: 约2-100米 (11个挡位可调)

WTG-700A 自动导览讲解器

耳挂接收器

- 频率范围: UHF
- 频道数: 9CH
- 工作电流: 30mA
- 频响范围: 20Hz-20kHz
- 失真度: <0.5%
- 信噪比: 85dB
- 电池容量: 300mAh
- 充电电流: DC 5V/260mA
- 使用时间: 约10小时
- 充电时间: 约1.5小时
- 产品尺寸: 62*22.5*11.3mm
- 单机重量: 约18g
- 功能指示: 指示灯
- 内存容量: 512MB
- 使用距离: 2-100米

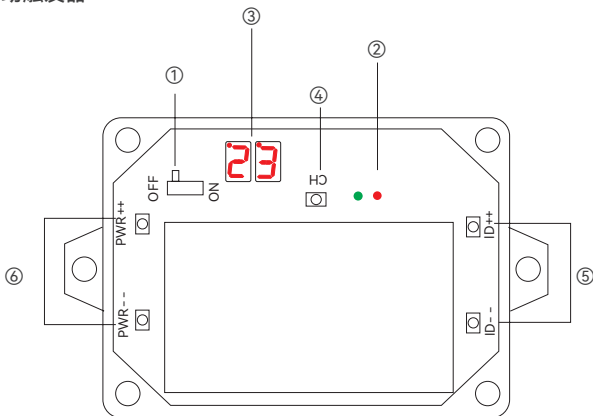
充电箱

- 充电位数: 54位 (耳挂接收) +2位 (线充)
- 交流输入: 110-220V/AC
- 直流输出: 5V/DC
- 产品尺寸: 560*130*370mm
- 产品净重: 5.2kg
- UV杀毒: 支持
- 其他功能: 储存及充电

注: 以上数据由得胜实验室测试得到, 并拥有最终解释权!

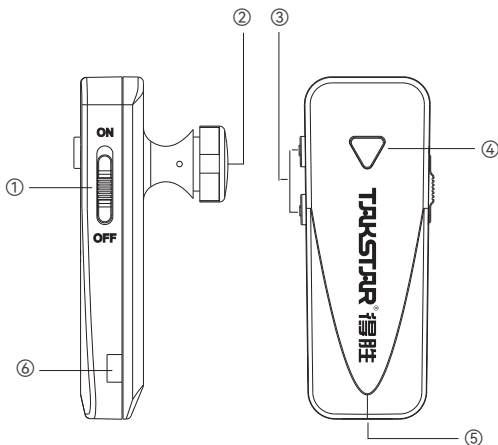
■ 功能示意

自动触发器



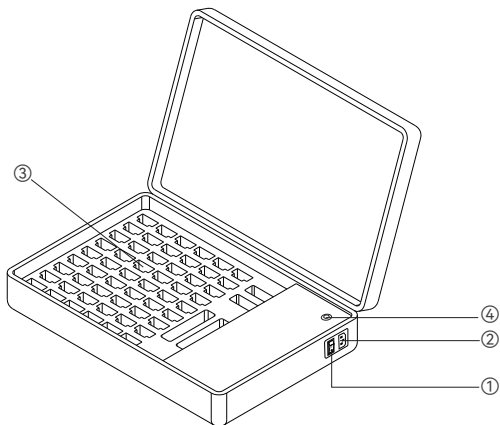
- ① 电源开关：拨至“ON”位置开启电源，拨至“OFF”位置关闭电源。
- ② 指示灯：开机5秒后，数码管显示消失，此时红灯每秒闪烁1次，代表设备已进入正常工作状态。
- ③ 数码管显示：显示当前使用频道数、ID序号、挡位号等工作状态。
- ④ CH频道调节键：开机工作后，按CH按键来回调节，共1-9个频道选择，数码管显示当前频道数，如数码管显示频道C3代表03频道。
- ⑤ ID序号调节键：开机工作后，按“ID+”或者“ID-”按键，调节至所需序号，数码管显示ID序号。
- ⑥ 距离范围调节键：点按“PWR+”或“PWR-”按键，调节所需的距离范围，数码管显示挡位，共有11挡可调节。

耳挂接收器



- ① 电源开关：拨至“ON”位置开启电源，拨至“OFF”位置关闭电源。
- ② 喇叭听筒：用于将声音信号传递于人耳。
- ③ 音量调节键：开机状态下，按“▲”键增加音量，按“▼”减小音量。
- ④ 设置按键&指示灯：用于000曲目自动播放模式设置、语言切换、工作状态显示等。
- ⑤ Type-C充电接口：通过连接Type-C数据线为耳挂接收器充电。
- ⑥ 充电接触片：把接收器放置在充电箱接收器充电槽中，接收器充电触片与充电槽的触片接触而对接收器进行充电。

充电箱



① 电源开关：“ON”表示开启充电箱电源，LED亮红灯；“OFF”表示关闭充电箱电源，LED红灯熄灭。

② 电源接口：将电源线一端插入电源接口，另一端插入市电插口为充电箱供电。

③ 充电槽：将耳挂接收器放置在充电槽中或连接充电线，开启电源开关为耳挂接收器充电。

④ UV杀菌灯：开启紫外灯后为充电箱内耳挂接收器进行杀菌消毒。

■ 使用说明

一、频道调节

1. 触发器频道调节：打开触发器电源开关，点按CH键进行频道调节至所需频道。
2. 耳挂接收器频道调节：同时按住耳挂接收器的音量+-键并开机，指示灯红蓝交替闪烁即调节成功并正常播放ID内容，（若只是红色指示灯闪烁则调节成功可接收到触发器信号），若红色灯不闪烁则需关机后重复此操作，直至调节成功。

二、ID序号调节

开启触发器电源开关，开机工作后，点按ID+或ID-按键，逐个调节至所需序号；长按ID+或ID-按键快速调整。数码管显示ID序号，数码管左上角显示一个圆点代表100，显示两个圆点代表200，例如：`2`3代表ID为223，`23代表ID为123，23代表ID为023。（每个ID序号对应相应的音频文件，可根据实际的使用场景进行录入）

三、距离范围调节

触发器开启工作后，点按PWR+/PWR-按键，调节所需的距离范围，数码管显示挡位号，共有11挡可调节。距离范围约2-100m可调，覆盖范围会因地理环境等因素有差异，建议使用时可根据实际情况调至合理覆盖范围。

挡位号显示	L1	L2	L3	L4	L5	L6	L7	L8	L9	LA	LB
距离范围	1-2 米	3-4 米	7-8 米	8-9 米	10-20 米	18-35 米	33-55 米	50-70 米	65-85 米	80-95 米	90-100 米

注：以上数据均为预估使用距离，仅供参考，具体以实际的调节距离为准。

WTG-700A 自动导览讲解器

四、触发器指令速度调节

当遇到点位相对密集的场所时，需将挡位调至L1/L2挡。首先确保触发器在关机状态下，然后按住CH+键并同时开机，指示灯快闪，表示设备已进入高灵敏度触发状态。再次重复此操作即可恢复到出厂状态。

五、000曲目自动播放模式设置

按住耳挂接收器设置键▼并开机，即可开启或关闭000曲目自动播放模式。000曲目可作为景点欢迎语或功能简介等。若收到触发信号后即播放新的站点内容。每个语言文件夹下均可放000序号曲目。其他讲解内容序号，须从001序号排列。

六、重复播报

在没有触发到新的站点情况下，当前站点内容播放完后，若需要二次收听该站点内注容，可手动点按耳挂接收器设置键，即可重复播放当前站点内容。

七、耳挂接收器指示灯说明

指示灯显示	现象说明
红蓝灯交互闪烁	每秒各1次，表示接收到触发器信号并能正常播放ID内容。
蓝灯闪烁	每秒1次，表示自动播放曲目000模式，该模式下若无000曲目则绿灯闪烁4下后熄灭；开机不闪烁表示非000模式。
蓝灯慢闪	4秒1次，表示没有播放且没收到触发器信号，需调节至与触发器相同频道。
红灯闪烁	每秒1次，表示接收到触发器信号。
红灯常亮	表示该触发器ID无效，即该ID序号无对应的曲目序号，需调节触发器ID或正确拷入相对应文件。
紫灯常亮	表示处于低电状态，需接入充电线充电。

八、语言切换

正常工作模式下，长按设置键▼3秒，即可进行语言切换。

九、拷贝音频方式

1. 打开电脑，使用数据线将耳挂接收器与电脑进行连接，连接成功后即可进行音频文件拷贝。
2. 文件夹（语言）命名：至少由5个或者更多的大写英文字母组成，比如ENGLISH，CHINESE等，支持以下语言文件夹的建立：

中文 CHINESE	英文 ENGLISH	法语 FRENCH	俄语 RUSSIAN	德语 GERMAN	日语 JAPANESE	韩语 KOREAN	意大利语 ITALIAN
---------------	---------------	--------------	---------------	--------------	----------------	--------------	-----------------

3. ID文件（曲目）命名：必须是大写字母开头，且第一个字母需要与文件夹首字母一致，后面为3位数的阿拉伯数字，比如C001，C002，E001，E002，E003以此类推。（注：音频文件必须是MP3格式，且比特率不高于128kbps）
4. 进入“我的电脑”找到“U盘”名称，点击进入，把整理好的音频文件夹拷贝至此U盘内，然后鼠标右击该U盘名称，左键单击“弹出”选项，等待电脑提示安全移除后，拔出数据线。

■ 安全警示

为避免电击、高温、着火、辐射、爆炸、机械危险以及使用不当等可能造成的人身伤害或财产损失，使用本产品前，请仔细阅读并遵守以下事项：

1. 使用产品时请确认所连设备与本产品是否匹配以及合理调整音量大小，不要在超过产品功率及大音量下长时间使用，以免造成产品异常；
2. 使用中若发现有异常（如冒烟、异味等），请立即关闭电源开关并拔掉电源插头，然后将产品送售后服务网点检修；
3. 若产品需要使用可拆装电池时，严禁使用外壳绝缘材料破损的电池，请不要为非充电电池充电；
4. 本产品及配件都应放置在室内干燥通风处，请勿长期存放在潮湿、灰尘多的环境，使用中避免靠近火源、雨淋、进水、过度碰撞、抛掷、振动本机及覆盖通风孔，以免损坏其功能；
5. 若产品需要固定于墙壁或天花板时，请确保固定到位，防止因固定强度不足导致产品发生跌落危险；
6. 使用该产品时需遵守相关安全规定，法律法规明确禁止使用场合请勿使用本产品，以免导致意外事故；
7. 请不要自行拆机改装或维修，以防止出现人身伤害，如有问题或服务需求请联系当地售后服务网点跟进处理。

■ 环保说明

产品中有害有害物质或元素的名称及含量标识表

部件名称	有害有害物质或元素					
	铅 (Pb)	汞 (Hg)	镉 (Cd)	六价铬 (Cr(VI))	多溴联苯 (PBB)	多溴二苯醚 (PBDE)
塑料部件	○	○	○	○	○	○
金属部件	×	○	○	○	○	○
电路板组件	×	○	○	○	○	○
线缆	×	○	○	○	○	○

本表格依据SJ/T 11364的规定编制

○: 表示该有害物质在该部件所有均质材料中的含量均在GB/T 26572规定的限量要求以下。

×: 表示该有害物质至少在该部件的某一均质材料中的含量超出GB/T 26572规定的限量要求。

此标志为产品的环保使用期限标志，
且此环保使用期限只适用于产品正常工作的温度和湿度等条件。
电池部分的环保使用期限为5年。



■ 关于图标含义解释



此符号表示，根据WEEE指令(2012/19/EU)和国家法律，由于这种类型的废弃物会有潜在的有害物质，可能对环境 and 人类健康产生负面影响，所以本产品不应与您的家庭垃圾一起处置，应将本产品交由授权的电气和电子设备 (WEEE) 回收站回收。同时，您在正确处理本产品的同时将有助于自然资源的有效利用。如需了解更多有关您可以在何处放置废物回收设备的信息，请联系您当地的城市办事处、废物管理局或家庭废物处理服务部门。

■ 关于本说明书

本说明书中内容符合截止印刷之日的技术规格。由于得胜公司会不断改进产品，本说明书可能不符合您的特定产品的技术规格。要获取最新版说明书，请访问得胜官网，然后下载说明书文件。技术规格、设备或另售的附件在各个地区可能有所不同，如有问题请与当地得胜销售网点确认。如需更多支持和深层产品信息，请浏览得胜官方网站：<https://www.takstar.com>

版权所有 ©2023 得胜。得胜、TAKSTAR及其各自标志是广东得胜电子有限公司在中国和/或其他国家/地区的注册商标或商标。所有其它商标均是其各自所有者的财产。

■ Preface

Dear Customer,

Thank you for purchasing Takstar WTG-700A Automatic Tour Guide System. To better understand and use the product, please read this manual thoroughly. If you have any questions or suggestions, please contact our local sales outlet.

■ Features

- Automatic audio playback in designated areas.
- Reliable wireless digital tech, clear audio playback.
- One-key multi-language audio content switch.
- 11-level transmit power for flexible range control.
- Hundreds of content IDs configurable for use in various sites.
- Lightweight 18g earhook receiver for comfortable wear.
- Charging case with UV sterilization function.

■ Applications

Large scenic areas, corporate visits, tourist buses, and large venues.

■ Package Contents

n × WTG-700A Automatic Trigger Beacon

n × Earhook Receiver

n × Charging Case

n × 1.5V AA Battery

1 × User Manual

Note: Quantity n is defined by client requirements.

■ Specifications

Automatic Trigger Beacon

- Frequency Range: UHF
- Number of Channels: 9CH
- Transmit Power: 11 levels
- ID Quantity: 256
- Battery Specs: 2pcs 1.5V AA Battery
- Dimensions: 83*58*34mm
- Weight: Approx. 68g
- Working Indicator: Digital display
- Operating Range: Approx. 2-100 meters (11 levels)

Earhook Receiver

- Frequency Range: UHF
- Number of Channels: 9CH
- Operating Current: 30mA
- Frequency Response: 20Hz-20kHz
- Distortion: <0.5%
- Signal-to-Noise Ratio: 85dB
- Battery Capacity: 300mAh
- Charging Current: DC 5V/260mA
- Battery Life: Approx. 10 hours
- Charging Time: Approx. 1.5 hours
- Dimensions: 62*22.5*11.3mm
- Weight: Approx. 18g
- Function Indicator: LED light
- Storage Capacity: 512MB
- Operating Range: 2-100 meters

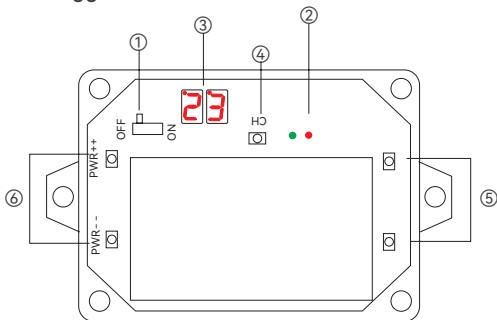
Charging Case

- Number of Charging Slots: 54 (RX) + 2 (Cable Charging)
- AC Input: 110-220V/AC
- DC Output: 5V/DC
- Dimensions: 560*130*370mm
- Net Weight: 5.2kg
- UV Sterilization: Supported
- Other Functions: Storage & Charging

Note: The above data are measured by Takstar laboratory which has the final interpretation right!

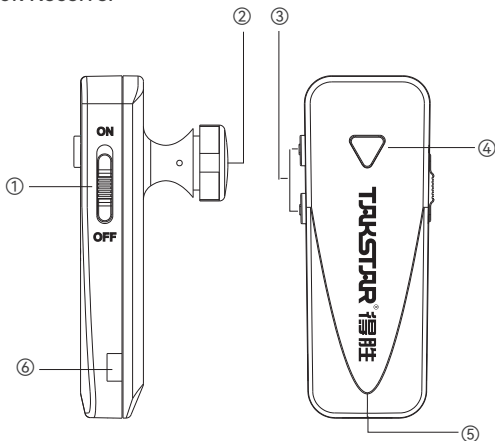
■ Function Descriptions

Automatic Trigger Beacon



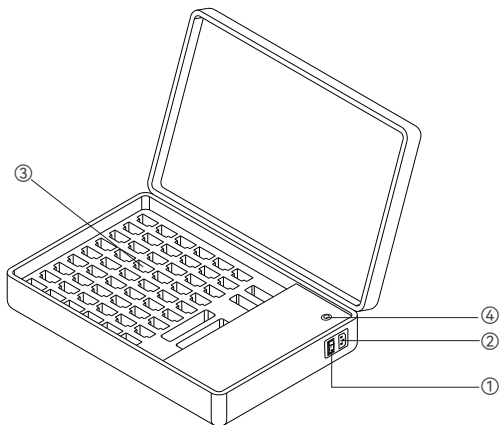
- ① Power Switch: Flip to ON/OFF position to power on/off the device respectively.
- ② Indicator Light: Blinks red once every second 5s after power-up as soon as the digital display turns off, indicating that the device is operating normally.
- ③ Digital Display: Shows the current channel, ID number, and transmit power level.
- ④ CH Channel Adjust Button: While powered on, press to cycle through and select from channel 1 to 9. The digital display will show the current channel. For example, C3 represents channel 03.
- ⑤ ID Number Adjust Buttons: While powered on, press ID+ or ID- button to adjust to the desired ID number. The digital display will show the ID number.
- ⑥ Range Adjust Buttons: Press PWR+ or PWR- button to adjust to the desired power level, as in the operating distance. The digital display will show the level, 11 levels in total.

Earhook Receiver



- ① Power Switch: Flip to ON/OFF position to power on/off the device respectively.
- ② Speaker Earpiece: Used to transmit audio signals to the user's ear.
- ③ Volume Adjust Buttons: While powered on, press ▲ or ▼ button to increase/decrease the volume level respectively.
- ④ Setting Button & Indicator Light: Used for setting automatic playback of track_000, switching language, and displaying the working status.
- ⑤ Type-C Charging Port: For charging the receiver with a Type-C cable.
- ⑥ Charging Contacts: Place the receiver in the charging slot of the charging case. The charging contacts on the receiver will connect with the contacts in the charging slot to charge the receiver.

Charging Case



- ① Power Switch: Switch to ON to power on the charging case, and the LED will light up in red. Switch to OFF to turn off the power, and the red LED will go off.
- ② Power Interface: For supplying power to the charging case by connecting it to a mains power outlet via a power cord.
- ③ Charging Slots: Place the receivers in the charging slots or connect them with the charging cable, then turn on the power switch to charge the receivers.
- ④ UV Sterilization Lamp: Turn on the UV lamp to sterilize and disinfect the receivers inside the charging case.

■ Operating Instructions

I. Adjusting Channel

1. Adjusting Beacon Channel: Power up the beacon and press CH button to adjust the channel to the desired one.
2. Adjusting Receiver Channel: Press and hold volume + and - buttons of the receiver while powering on. The indicator light will alternate between red and blue to indicate a successful adjustment, and the respective ID content will be played normally. Adjustment fails if there is no blinking red light, turn off the receiver and repeat this operation until successful.

II. Adjusting ID

Power up the beacon, then press ID+ or ID- button to adjust to the desired ID number. Long press ID+ or ID- button for quick adjustment. The digital display will show the ID number. A dot in the upper left corner of the display represents 100, two dots represent 200, for example, $\cdot 2 \cdot 3$ represents ID 223, $\cdot 23$ represents ID 123, and 23 represents ID 023. (Each ID number corresponds to a specific audio file, set as per actual conditions.)

III. Adjusting Operating Range

Power up the beacon, then press PWR+/PWR- button to adjust to the desired power level (operating range). The digital display will show the power level, and there are 11 levels in total. The adjustable operating range is approximately 2-100m. Coverage may vary due to geographical environment and other factors. It is recommended to adjust the range to a reasonable level based on the actual situation.

WTG-700A Automatic Tour Guide System

Power	L1	L2	L3	L4	L5	L6	L7	L8	L9	LA	LB
Range	1-2 m	3-4 m	7-8 m	8-9 m	10-20 m	18-35 m	33-55 m	50-70 m	65-85 m	80-95 m	90-100 m

Note: The above data are estimated usage distances and are for reference only, as conditions may vary.

IV. Adjusting Trigger Speed

In places where beacons are densely used, you need to first set their power level to L1/L2. Power off the beacons, and then set them to high-sensitivity trigger mode by pressing and holding CH+ button as you power them back on. Repeat this operation to reset the sensitivity level to factory default.

V. Setting Track_000 Automatic Playback

Press and hold ▼ setting button of the receiver as you power it on to enable or disable automatic playback of track_000. Track_000 can be a welcoming message or brief introduction of the site. Upon receiving a trigger signal, the receiver will immediately play respective audio content. Track_000 can be placed in each language folder. Other explanatory content should be numbered starting from 001.

VI. Repeating Playback

If there is no trigger signal from a new beacon, after the audio content of the current location finishes playing, you can manually press setting button on the receiver to repeat the playback.

WTG-700A Automatic Tour Guide System

VII. Earhook Receiver Indicator Descriptions

LED Light	Description
Alternate Red & Blue Pulses	Once per second alternately, indicates trigger signal received and playing ID content normally.
Blue Pulse	Once per second, indicates automatic playback of track_000 is enabled. If there are no track_000, the LED will blink green four times and then turn off. No blinking at startup indicates track_00 automatic playback is disabled.
Slow Blue Pulse	Once every 4 seconds, indicates no playback and no trigger signal received. Adjust to the same channel as the beacon.
Red Pulse	Once per second, indicates trigger signal is received.
Solid Red	Indicates invalid beacon ID, as in there is no corresponding track number of that ID. Adjust beacon ID or correctly copy the corresponding file onto receiver.
Solid Purple	Indicates low power and requires charging.

VIII. Switching Language

In normal working mode, press and hold ▼ setting button for 3 seconds to switch languages.

IX. Copying Audio File

1. On your computer, create a language folder (up to 8 supported) with one of the following uppercase names. Use any of the available names as substitute if your language is not included.

CHINESE	ENGLISH	FRENCH	RUSSIAN	GERMAN	JAPANESE	KOREAN	ITALIAN
---------	---------	--------	---------	--------	----------	--------	---------

WTG-700A Automatic Tour Guide System

2. Place audio tracks into the corresponding language folder. Rename the audio files so that they start with an uppercase letter matching the folder's first letter, followed by a 3-digit Arabic ID number (e.g., C001, C002, E001, E002). Note: Audio files must be in MP3 format with a bit rate not exceeding 128kbps.
3. Connect the earhook receiver to the computer using the data cable.
4. Copy the above prepared language folders to the USB drive of the earhook receiver. Once finished, eject the drive, wait for safe removal prompt, and disconnect the data cable.

■ Safety Instructions

To avoid electric shock, overheat, fire, radiation, explosion, mechanical risk and injury or property loss due to improper use, please read and observe the following items before use:

1. Please check if the power of the connected equipment matches with that of this product before operation. Adjust the volume to proper level during operation. Do not operate at over-power or high-volume level for extended time to avoid product malfunction.
2. If there is any abnormality during use (e.g., smoke, strange odor), please kill the power switch and unplug from power source, then send the product to the local after-sales service for repair.
3. When using replaceable batteries, do not use batteries with damaged insulation on the casing. Do not attempt to charge non-rechargeable batteries.
4. Keep this product and its accessories in a dry and ventilated area. Do not store in a humid or dusty area for extended time. Keep away from fire, rain, liquid intrusion, bumping, throwing, vibrating, or from blocking any ventilation openings, to prevent malfunction.
5. The product must, when installed on walls or ceilings, be fixed firmly in place at adequate strength to prevent from falling.
6. Please abide by safety rules during operation. Do not use the product in places prohibited by laws or regulations to avoid accident.
7. Do not disassemble or repair the product by yourself to avoid injury. If you have any questions or require any services, please contact our local after-sales service.

■ Label Meanings



This symbol indicates that this product should not be disposed of with your household waste, according to the WEEE directive (2012/19/EU) and your national law. This product should be handed over to an authorized collection site for recycling waste electrical and electronic equipment (WEEE). Improper handling of this type of waste could have a possible negative impact on the environment and human health due to potentially hazardous substances that are generally associated with WEEE. At the same time, your cooperation in the correct disposal of this product will contribute to the effective usage of natural resources. For more information about where you can drop off your waste equipment for recycling, please contact your local city office, waste authority, or your household waste disposal service.

■ About This Manual

This manual contains up-to-date technical specifications as of printing. However, specifications contained herein may not conform to your particular product since Takstar is constantly improving its products. Also, specifications, devices or accessories available may vary from region to region. If you have any questions, please contact our local sales outlet. For the latest version/more information, please visit our website: <https://www.takstar.com/>

Copyright ©2023 TAKSTAR. TAKSTAR, 得胜 and their respective logos are registered trademarks or trademarks of Guangdong Takstar Electronic Co., Ltd. in the PRC, and/or other countries. All other trademarks are the property of their respective

注意事项:

1. 本单为保修凭证, 请用户妥善保管, 如有遗失, 恕不保修或退换。
2. 保修期限制: 购买之日起十二个月内。
3. 除了不可抗力事件损坏外, 由本公司负责, 免费维修。
4. 如属保管不善或使用不当造成的损坏, 维修点将酌情收费。
5. 擅自拆卸维修者, 不予保修。
6. 以上保修条款仅限于中国市场适用 (不含港澳台地区)。

产品服务保证书

姓名: _____ 电话: _____ 地址: _____

商品: _____ 型号: _____ 购买日期: _____ 年 ___ 月 ___ 日

维修记录栏 (由维修员填写)	维修员签名	日期

◆ 广东得胜电子有限公司 ◆ 电话: 400-6828-333 ◆ 地址: 广东省惠州市博罗县龙溪街道富康一路2号



扫一扫，了解更多产品
Scan for more
product information

广东省电声工程技术研究开发中心 广东得胜电子有限公司制造

地址: 广东省惠州市博罗县龙溪街道富康一路2号
服务热线: 400 6828 333 传真: 0752 6383950
邮箱: xs@takstar.com
网址: www.takstar.com

Designed & Manufactured by:

Guangdong Takstar Electronic Co., Ltd.
Address: No.2 Fu Kang Yi Rd., Longxi Boluo
Huizhou, Guangdong 516121 China
Tel: 86 752 6383644 Fax: 86 752 6383952
Email: sales@takstar.com
Website: www.takstar.com